
ACCESSORY POWER™

Auto Dash Mount



INSTRUCTION MANUAL

FREE PRODUCT REGISTRATION

Protect your investment and take advantage of this free product warranty.

YOU MUST REGISTER WITHIN 30 DAYS

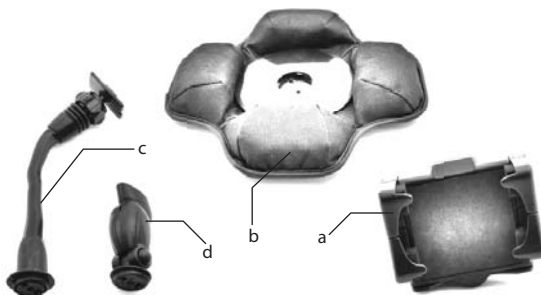
of purchase to receive full warranty coverage and access to special offers.

www.AccessoryPower.com/warranty

Thank you for purchasing the **Accessory Power Auto Dash Mount**. Easily mount your device with a quick-setup friction mount and device cradle. This high quality, non-permanent, weighted dashboard mount works together with the device cradle to offer a fully articulating and adjustable mobile gadget holder. The **Accessory Power Auto Dash Mount** works great for your GPS, cell phone, personal media player and many other mobile devices.

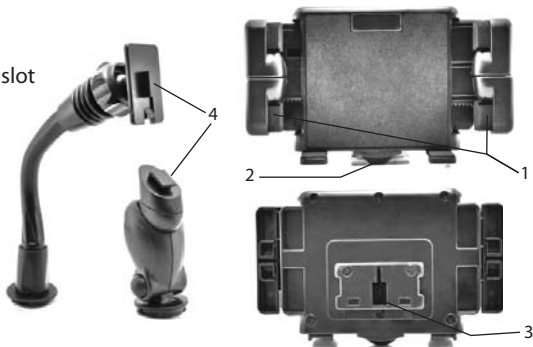
What's in the box?

- a - Cradle
- b - Mount base
- c - Flex-Neck
- d - Tilt-Neck



Product Diagram

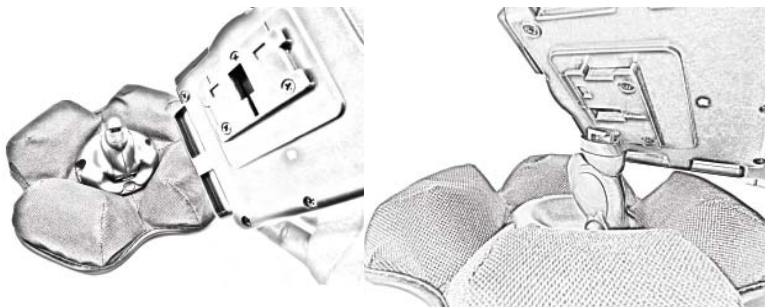
- 1 - Cradle wings
- 2 - Adjustment knob
- 3 - Cradle connecting slot
- 4 - Neck connector



Operating Instructions:

Connecting the Cradle to the Neck

Please locate the (c) *Connecting slot* on the center area on the back of the (a) *Cradle*. Connect the (4) *Neck connector* to the (c) *Cradle connecting slot* as shown below.



Adjusting the Cradle

Once the (a) *Cradle* is connected to the (d) *Tilt-Neck*, adjust the (1) *Cradle wings* to fit your mobile device. Locate the (2) *Adjustment knob*, next to an arrow and the word "OPEN". Use the (2) *Adjustment knob* to extend the (1) *Cradle wings*. Use gentle inward pressure to close the (1) *Cradle wings*.

Adjusting the Tilt-Neck

The (d) *Tilt-Neck* is fully articulating. It can be adjusted vertically, horizontally, and rotated 360 degrees.

Operating Instructions (cont'd)

Attaching the Flex-Neck

The **Auto Dash Mount** comes configured with the *(d) Tilt-Neck* installed. To remove it, turn the body of the *(d) Tilt-Neck* counter-clockwise with gentle pressure. It removes from the *(b) Mount base* with ease. Next, connect the *(c) Flex-Neck* to the *(b) Mount base* by gently turning clockwise until it is secure. Please do not apply unnecessary pressure. The *(c) Flex-Neck* can be secured with gentle turning pressure. To attach the *(a) Cradle* to the *(c) Flex-Neck*, please refer to the section "**Connecting the Cradle to the Neck**".



Please note: Do not over-tighten when connecting Neck to Mount base.

Operating Instructions (cont'd)

Mounting on the Dashboard

The *(b) Mount base* has a non-slip bottom. Be sure that your dashboard is free from dust or liquid, and place the **Auto Dash Mount** in the position that best suits your needs. The neck of the mount can be adjusted so that your device can be viewed from many different angles.

Troubleshooting

The (1) Cradle wings will not open.

- Turn the (2) *Adjustment knob*, making sure to follow the direction of the arrow.

The (a) Cradle cannot be connected to the Neck.

- Please be sure that you are aligning the (3) *Cradle connecting slot* and (4) *Neck connector* correctly. Also, make sure that you have adjusted the chosen neck at an angle that allows for the connection to be made. Both necks are fully articulating, and can be moved into many different positions.

The Auto Dash Mount is sliding on the dashboard.

- Please make sure that your dashboard is free of dust and liquid.

Cautions

- Please keep the **Accessory Power Auto Dash Mount** in a place where it does not distract the driver. Partially blocking the view of the driver can result in a serious accident.

Product Specifications

Weight: 2.55 lbs (41 ounces)
Mount Base: 8 x 8 x 1.5 inches
Flex-Neck: 8 inches
Tilt-Neck: 3 inches

Learn more about this and other
quality Accessory Power products



www.AccessoryPower.com



[Facebook.com/AccessoryPower](https://www.facebook.com/AccessoryPower)



[Twitter.com/AccessoryPower](https://twitter.com/AccessoryPower)

**For more on this product
+ tips and tricks please visit
AccessoryPower.com/videos**



Please Always Recycle



ACCESSORY POWER
WESTLAKE VILLAGE, CALIFORNIA

WWW.ACCESSORYPOWER.COM
MADE IN CHINA

©2010 ACCESSORY POWER

All trademarks and brand names are the property of their owners